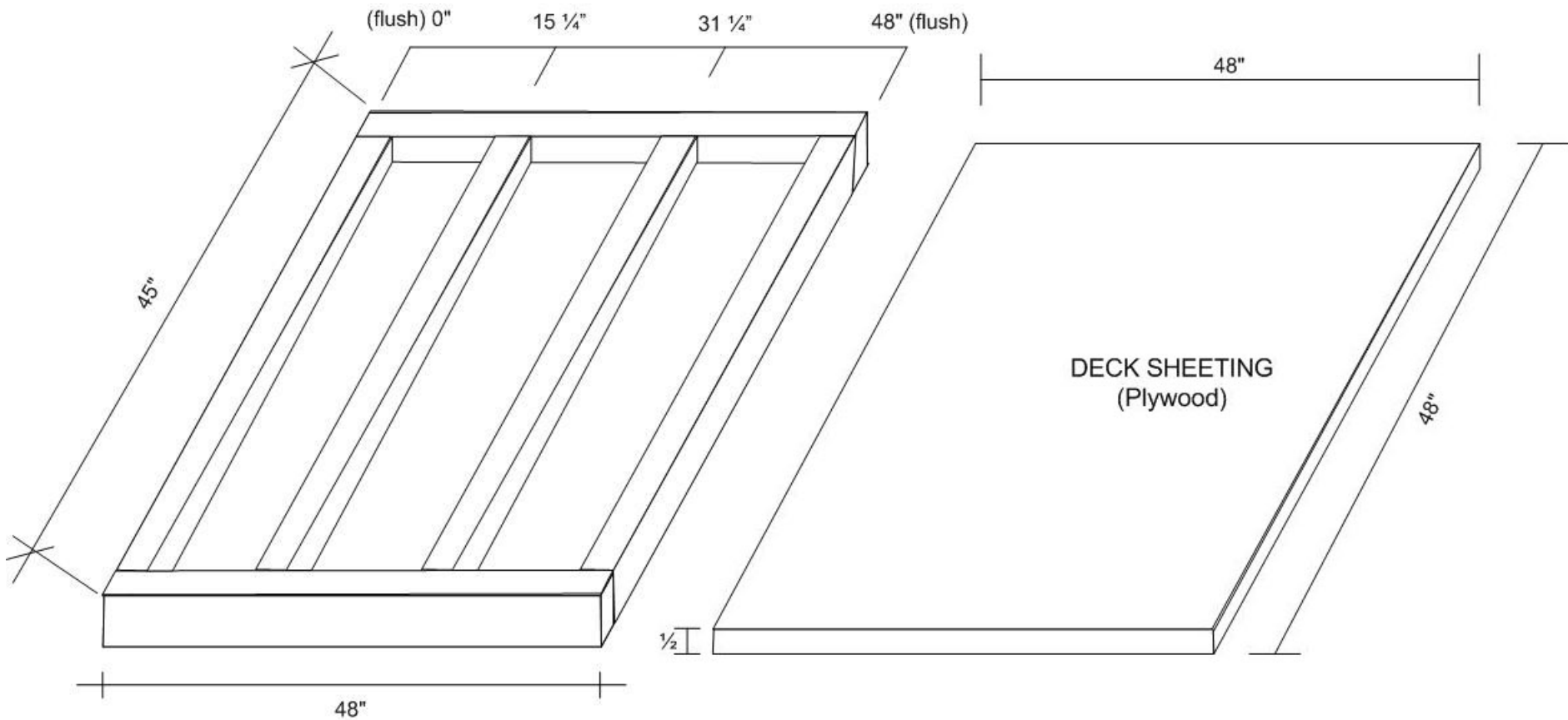


Carpentry Workshop WALL & DECK MOCK-UP

Deck Frame

Material List:

- _____
- _____
- _____
- _____

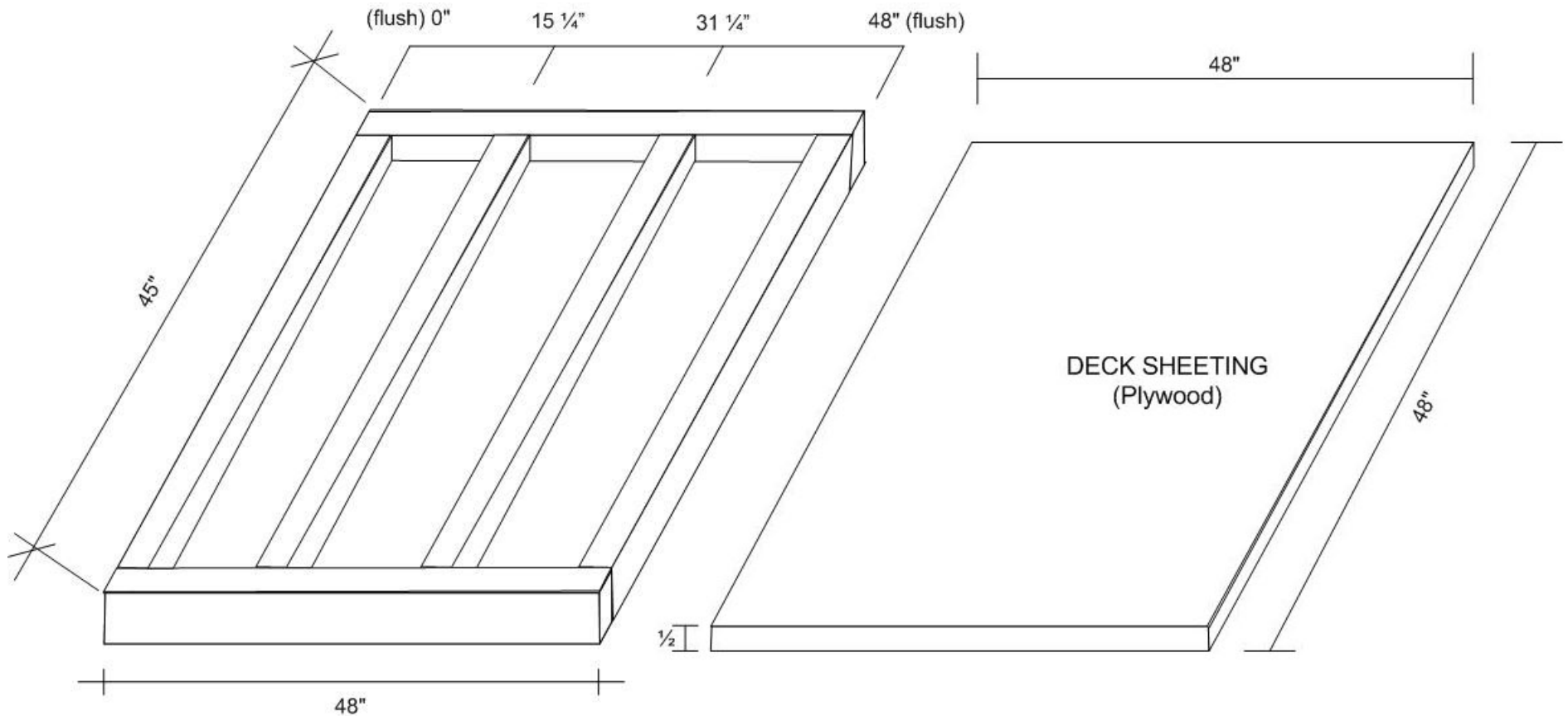


Carpentry Workshop WALL & DECK MOCK-UP

Deck Frame

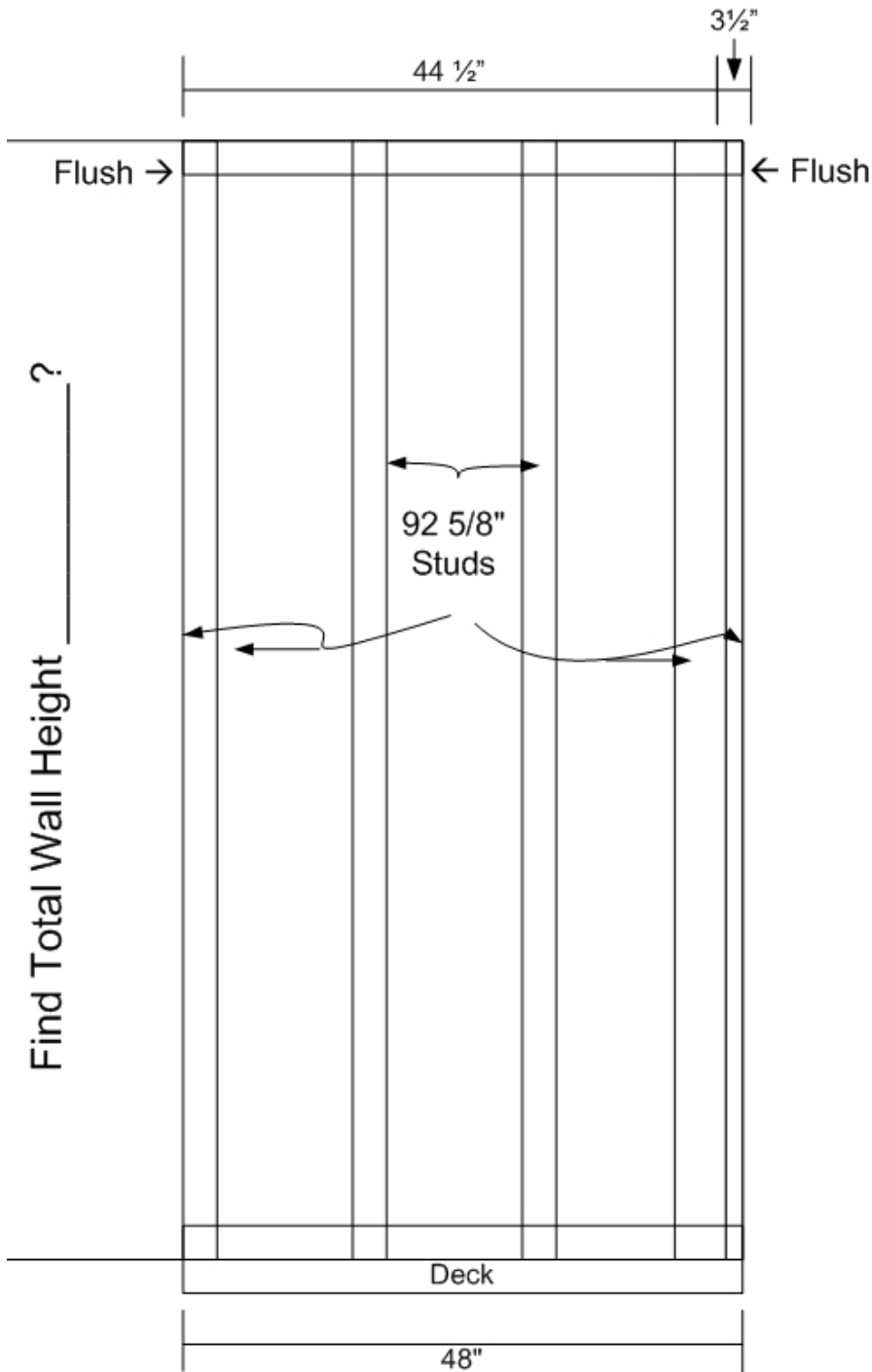
Material List:

- 2 - 2" x 4" x 48"
- 4 - 2" x 4" x 45"
- 25 - 12d common nails (sinkers)
- 1 - 48" x 48" x 3/4"
- 35 - 8d common nails (sinkers)



Carpentry Workshop

WALL FRAMING PROJECT



Build Two Walls

Material List:

- 13 - 2" x 4" x $92\frac{5}{8}"$ (wall studs)
- 1 or 2 sheets of 4' x 8' $\frac{1}{2}"$ plywood
- 30 - 12d common nails (sinkers)

Cut List for Wall #1:

- 6 - pre cut $92\frac{5}{8}"$ studs (standard length)
- 2 - 2" x 4" x 48" (top and bottom plate)
- 1 - 2" x 4" x $44\frac{1}{2}"$ (top top plate)

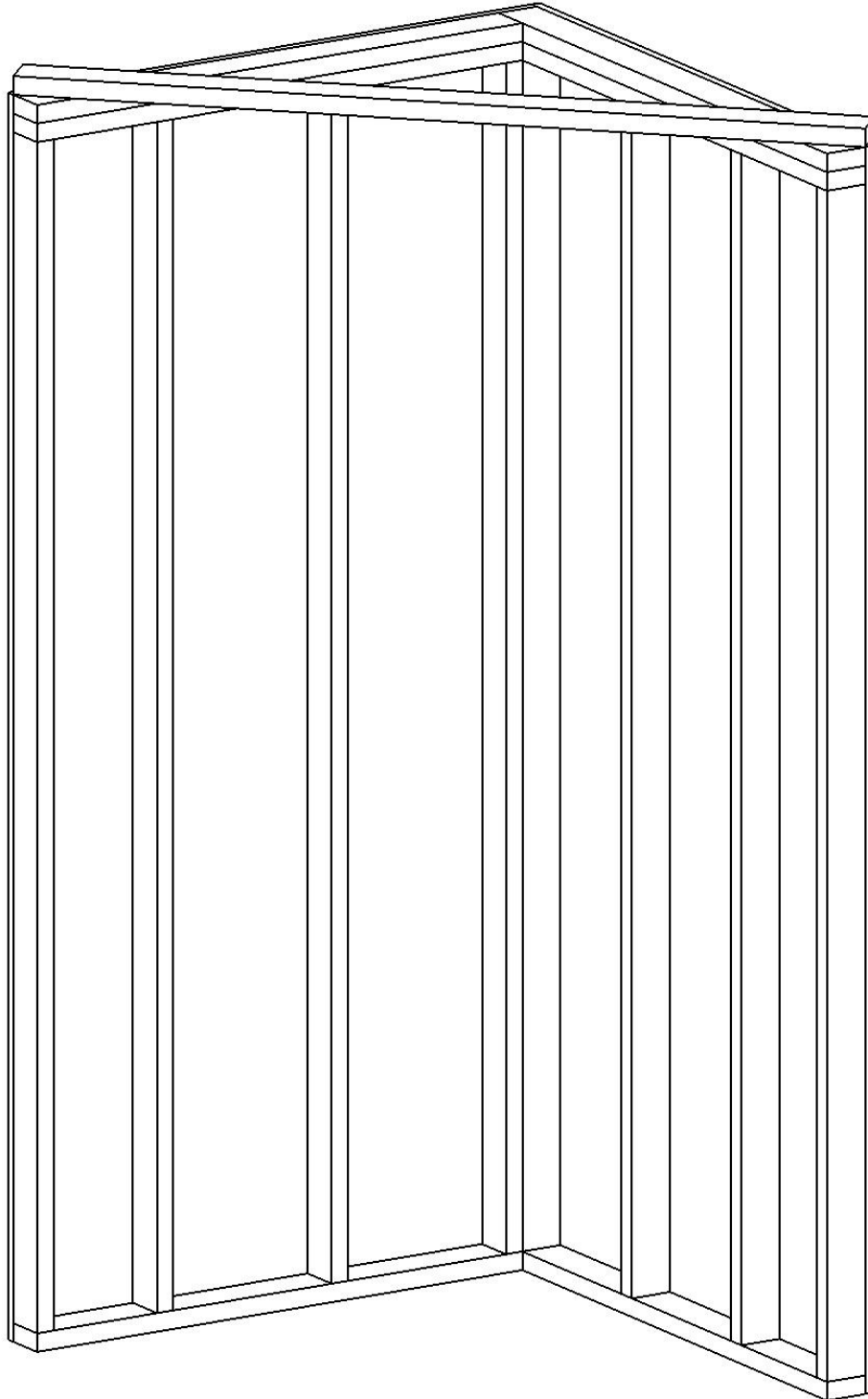
Cut List for Wall #2:

- 4 - pre cut $92\frac{5}{8}"$ studs
- 2 - 2" x 4" x $44\frac{1}{2}"$ (top and bottom plate)
- 1 - 2" x 4" x 48" stud (top top plate to tie walls together)

Carpentry Workshop

DECK AND WALL MOCK UP

1 – 4' x 2' x 8' corner wall section



This product was funded by a grant awarded under the President's High Growth Job Training Initiative as implemented by the U.S. Department of Labor's Employment & Training Administration. The information contained in this product was created by a grantee organization and does not necessarily reflect the official position of the U.S. Department of Labor. All references to non-governmental companies or organizations, their services, products, or resources are offered for informational purposes and should not be construed as an endorsement by the Department of Labor. This product is copyrighted by the institution that created it and is intended for individual organizational, non-commercial use only.

www.CHICAGOWOMENINTRADES.org